

KATADYN EXPEDITION - the high-performance filter

PRODUCT CHARACTERISTICS

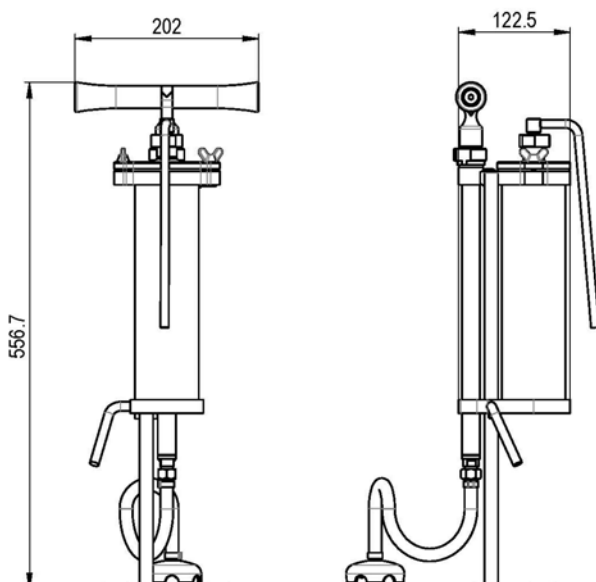
Technology:	Pump filter, ceramic depth filtration (0.2 microns = 0.0002mm pores)
Effect:	Eliminates bacteria, protozoa, cysts, algae, spores, sediments and viruses in combination with particles greater than 0.2 microns
Output:	Approx. 4 L/min
Capacity:	Up to 100'000 litres depending on the water quality
Weight:	5.8 kg (6.0 kg with pouch)
Dimensions:	Approx. 556 x 202 x 122 mm
Guarantee:	2 years
Material:	Food-grade silicone, stainless steel, ceramic
Accessories:	Prefilter and carry bag
Article No.:	8016389



FACTS

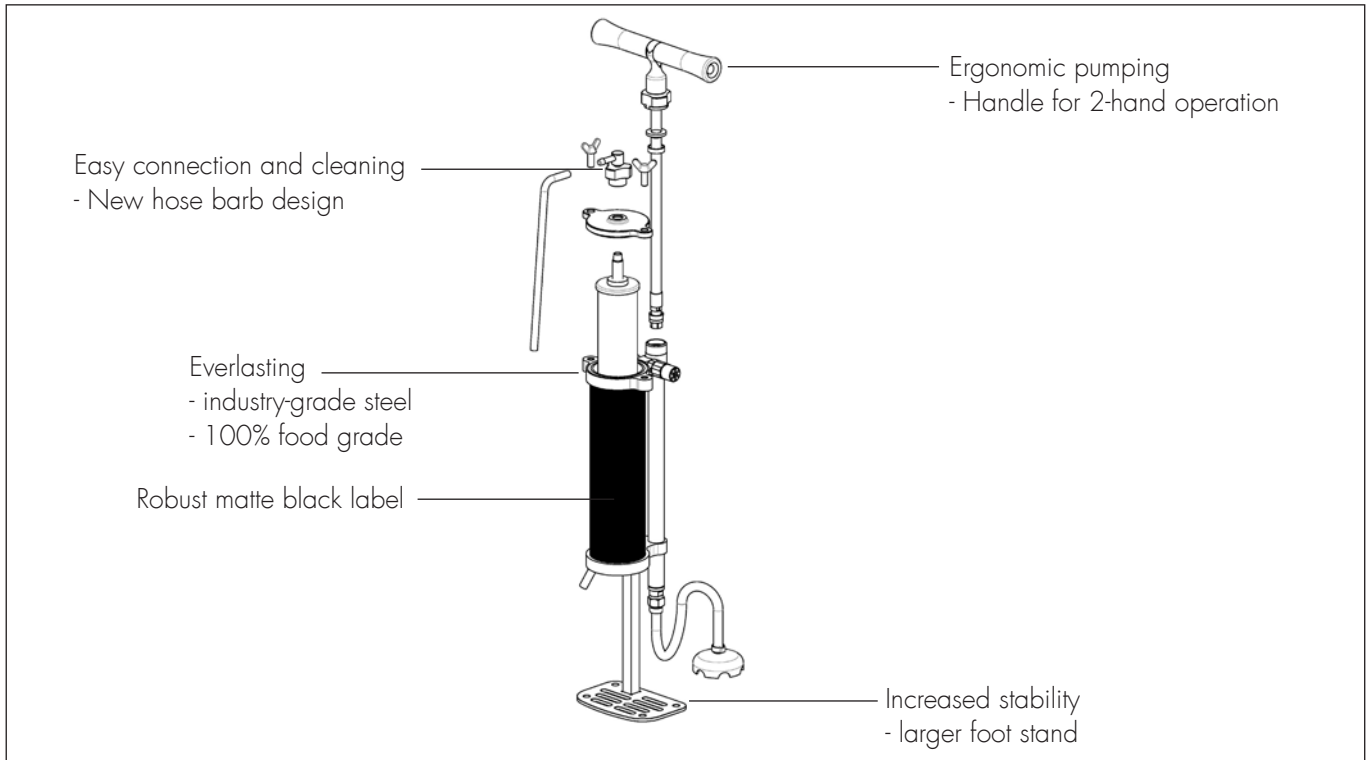
- Ideal for large groups (filters 4 litres per minute)
- Indestructible design: Industry-grade steel - 100% food grade
- Extremely long life (up to 100'000 litres) and very reliable
- Ceramic filter removes bacteria, protozoa and other disease-causing agents
- Ceramic filter can be cleaned several times
- Measuring gauge indicates when the filter element should be changed
- Ergonomic pumping with 2-hand operation handle
- Simple maintenance
- Also for cloudy water

DIMENSIONS



KATADYN EXPEDITION - the high-performance filter

DETAILED VIEW



For details on spare parts, please contact your Katadyn dealer.

TESTS

Bachema AG, Switzerland, 01.07.2010 - Raoultella terrigena, Salmonella typhimurium, E.coli

Bachema AG, Switzerland, 07.12.2004 - Pseudomonas aeruginosa

Food & Environment Control Center, Abu Dhabi, 16.02.1992 - E.coli, A. aerogeneses, Klebsiella spp., Pseudomonas spp.

Katadyn reserves the right to modify product characteristics
Version: 23.11.2020

Katadyn Products Inc. | Pfäffikerstrasse 37 | 8310 Kempthal | Switzerland
Tel: +41 44 839 21 11 Fax: +41 44 839 21 99
info@katadyn.ch | www.katadyn.com