

**Katadyn BeFree Gravity 6.0 L**  
**Katadyn BeFree Gravity 10 L**

EN



Congratulations on your purchase of the Katadyn Gravity BeFree (hereinafter referred to as Katadyn BeFree). When used properly in accordance with the instructions provided in this manual, this product is designed to reduce the levels of bacteria and protozoan cysts commonly found in fresh water. Agency's microbiological water purifier standards for reduction of bacteria (99.9999% Klebsiella terrigena) and protozoan cysts (99.9% Giardia and Cryptosporidium). It is for hiking, camping in the wilderness or traveling in areas where treated water is unavailable.

**Water definitions as used in this manual**  
Fresh water = Untreated water (Lakes, Rivers, Streams, etc.)  
Filtered fresh water = Potable drinking water  
Treated water = Treated tap water or chemically disinfected water, or boiled disinfected water

**1 INTENDED USE OF THE KATADYN BEFREE**

Log on to our website to learn more about our full line of products including all our solutions for water treatment, self-sufficient nutrition and outdoor cooking.

[www.katadyngroup.com](http://www.katadyngroup.com)

**Katadyn Products Inc.**  
Pfäffikerstrasse 37  
8310 Kempthal  
Switzerland  
Phone: +41 44 839 21 11  
customerservice@katadyn.ch

**KATADYN GROUP**

**7 PERFORMANCE TIPS**

To extend the life of your EZ-Clean Membrane™, always use the best available fresh water source. Avoid still water or water in areas of heavy human or animal use.

**Filter Integrity Test**

If you suspect that your Katadyn BeFree may have been damaged in some way, you can perform this quick and easy integrity test in the field.

**IMPORTANT:** The integrity test only works with a wet EZ-Clean Membrane™.

1. Squeeze fresh water through the Katadyn BeFree
2. Try to blow air - using your mouth - through the output hose into the water bag.  
-> cannot blow through filter = fiber broken  
-> can blow through filter = fiber broken
3. Clean output hose after integrity test according to section 8 (Long Term Storage)

**Maintain your Katadyn BeFree to keep it operating properly.**

A) If the Katadyn BeFree leaks near the cap  
Unscrew the filter and screw it back on. Make sure that you position the filter straight on the thread of the adapter ring and the water bag and tighten it firmly.

B) If the Katadyn BeFree is dropped hard, check the hollow fibers visually and perform the filter integrity test to make sure the fibers are ok.

**IMPORTANT:** Do not touch the hollow fibers with a tool or with your fingers. (See WARNING section)

**7 PERFORMANCE TIPS (CONTINUED)**

**Check Output Hose:** Ensure on/off output hose clamp is in the wide open position, not pinching the hose whatsoever. Ensure output hose quick connect is securely connected to the quick connect on the filter cap or water will not flow into output hose.

**Clogged Outlet Valve:** Unscrew the filter cap counterclockwise from the EZ-Clean Membrane™. Swish filter cap in filtered/treated water to remove any sediment from connection. Add the output hose and flush the filter cap and the hose with filtered/treated water. If clean water is unavailable, flush the system with the first liter of treated water when you start filtering water again.

**Clean EZ-Clean Membrane™:** Use ONE of the EZ Clean steps (Shake, Swish)



**Shake**  
Fill the water bag with fresh water & shake to easily clean the EZ-Clean Membrane™ in the field

**Swish**  
Remove the filter and swish in any fresh water source to clean in the field (Note: DO NOT allow the filter and top of the filter to contact contaminated water sources).

**C** If water flow is slow:

**11 PRODUCT REGISTRATION**

Please take a moment to register your new Katadyn product by completing the short product registration form online at [www.katadyngroup.com](http://www.katadyngroup.com). You will find „Product Registration“ as part of the „Services“ section in the website navigation. The information you provide by registering your product will enable us to develop further products which meet your needs and interests. Additionally you can register to receive information about new products of the Katadyn Group Brands.

**12 PRODUCT SPECIFICATIONS**

Flow Rate:	Up to 2L of water per minute
Filter Capacity:	Up to 1,000L, depending on water quality
Weight:	Katadyn BeFree Gravity 6.0 L: 298 g Katadyn BeFree Gravity 10 L: 317 g
Dimensions:	Katadyn BeFree Gravity 6.0 L : 48 x 43 x 12 cm Katadyn BeFree Gravity 10 L : 58 x 43 x 12 cm

**7 PERFORMANCE TIPS (CONTINUED)**

**IMPORTANT:** Do not rinse the EZ-Clean Membrane™ horizontally under running water. (See WARNING section)

If these steps fail to restore water flow, replace EZ-Clean Membrane™.  
-> On extended trips, bring along an EZ-Clean Membrane™ Replacement.  
D) Trapped air in the EZ-Clean Membrane™ may also reduce flow rates. Fill the water bag with a small amount of fresh water, close the system and disconnect output hose. Shake the system, reconnect output hose and squeeze the water bag until the air goes through the EZ-Clean Membrane™.

**8 LONG TERM STORAGE (AFTER YOUR TRIP IS OVER)**

Disinfect your Katadyn BeFree before storage to prevent microbiological growth within the filter system.  
A) Fill a container with 2L of filtered or treated water and add 1 Micropur Tablet per liter. (If not available, use 4 drops of ordinary household bleach.)  
B) Pour the solution into the water bag.  
C) Hang your Katadyn BeFree Gravity and allow the entire amount of solution to run through EZ-Clean Membrane™ (into sink or container) to disinfect filter, hoses, water bag etc.

**Replacement EZ-Clean Membrane™ Installation**  
Katadyn BeFree Replacement EZ-Clean Membranes™ are available from the dealer where you purchased your Katadyn BeFree.  
To replace your EZ-Clean Membrane™ twist it in a counter-clockwise motion and remove the EZ-Clean Membrane™ from the adapter ring. Install new EZ-Clean Membrane™ by screwing it into the adapter ring in a clockwise motion.

**D** Disassemble all components, rinse them with filtered or treated water and allow them to air dry completely.  
E) Reassemble the system and store inside carry bag.

**8 LONG TERM STORAGE (CONTINUED)**

**10 KATADYN BEFREE LIMITED WARRANTY**

2 YEAR LIMITED WARRANTY on Katadyn BeFree

**A) What is covered**  
Your Katadyn BeFree is warranted to be free from defects in materials and workmanship.

**B) How long warranty coverage lasts**  
This warranty lasts two years from the date of purchase of your Katadyn BeFree. All implied warranties under state law are also limited to two years from the date of purchase. Some states do not allow limitations on how long an implied warranty lasts, so the above limitation may not apply to you.

**C) What Katadyn will do**  
In the event of a defect in material or workmanship within the two-year warranty period, Katadyn will either repair or replace your Katadyn BeFree, at Katadyn's sole discretion.

**D) What is not covered**  
This warranty does not cover any damage caused by product misuse, abuse or failure to follow instructions provided herein for proper use, maintenance, cleaning or storage. This warranty also does not cover, and expressly excludes coverage for, any incidental or consequential damages arising out of the purchase, use or performance of the product. Some state laws do not allow exclusion or limitation of incidental or consequential damages, so the above exclusion or limitation may not apply to you.

**9 FILTER CARTRIDGE CAPACITY & REPLACEMENT**

The life span of the EZ-Clean Membrane™ depends on water quality. To extend life of your EZ-Clean Membrane™, clean it regularly, for optimum filter performance replace the EZ-Clean Membrane™ after 1,000 liters or 264 gallons or if water flow has slowed or stopped (review Performance Tips to ensure best product performance).

**IMPORTANT:** Do not rinse the EZ-Clean Membrane™ horizontally under running water. (See WARNING section)

**10 KATADYN BEFREE LIMITED WARRANTY (CONTINUED)**

## 2 WARNINGS

Using the Katadyn BeFree improperly or drinking untreated water can result in exposure to harmful microorganisms and an increased risk of diseases. Reduce your risk of becoming sick by following the warnings and instructions in this manual and by educating yourself on backcountry/travel illness prevention. YOU ARE RESPONSIBLE FOR YOUR OWN SAFETY AND THOSE IN YOUR GROUP. PLEASE USE GOOD JUDGEMENT.

Improper use of the Katadyn BeFree or use of a damaged or contaminated EZ-Clean Membrane™ expose you to harmful microorganisms and increase your risk of contracting a gastrointestinal illness. Read this entire manual before assembling or using the Katadyn BeFree and follow all instructions carefully. If you have any questions, contact Katadyn at +41 44 839 21 11 or email us at customerservice@katadyn.ch or visit our website at www.katadyn.com

- The Katadyn BeFree does not remove viruses.
- Never use the Katadyn BeFree to filter seawater or brackish water or chemically contaminated water, such as water from mine tailing ponds or near large agricultural operations. The Katadyn BeFree does not make drinkable water from these sources and does not remove chemicals and radioactive materials or particles smaller than 0.1 microns.
- Do not use in freezing conditions (a frozen EZ-Clean Membrane™ could lead to microorganism bypass, resulting in illness)
- Improper threading of the cap to the water bag could cause fluid leakage and result in illness.
- Do not hold or squeeze the EZ-Clean Membrane™ with your hand while opening or closing the Katadyn BeFree (as showing in the diagram on the next page). Carefully hold the thread of the flask when opening or closing the Katadyn BeFree, allowing the EZ-Clean Membrane™ to rotate freely inside the bag. Holding or squeezing the EZ-Clean Membrane™ while opening or closing the Katadyn BeFree could result in damage or breakage to the filter membrane, thus compromising/damaging the filter (which could allow harmful microorganisms to bypass the filter, leading to illness).

## 2 WARNINGS (CONTINUED)



Do not hold or squeeze the EZ-Clean Membrane™ with your hand while opening or closing the Katadyn BeFree



Do not rinse the EZ-Clean Membrane™ horizontally under running water – doing so may destroy the hollow fibers



Do not touch the hollow fibers with a tool or with your fingers.



## 2 WARNINGS (CONTINUED)

- If the Katadyn BeFree has been dropped into a fresh water source, follow instructions for long term storage to completely disinfect filter before use. If the Katadyn BeFree is damaged or contaminated, do not use.
- Do not allow fresh water to contaminate the output parts (female quick connect and top of the EZ-Clean Membrane™).
- To minimize risk, when filtering water, do not splash dirty or fresh water on the filter cap. Do not drink directly from the output hose.
- Dry off outside of the water bag and output hose to avoid fresh water running down bag/hose into your water container.
- Do not filter any substance or liquid other than fresh water through your Katadyn BeFree or the EZ-Clean Membrane™ may become damaged or contaminated.
- Before long term storage, disinfect the EZ-Clean Membrane™ thoroughly to prevent growth of mold, mildew and bacteria which could cause illness (see Long Term Storage)
- Do not use dishwasher or microwave to disinfect the EZ-Clean Membrane™ or the filter cap. Doing so will damage or melt the parts from high heat.
- Always seek the best fresh water source available.
- Always handle the Katadyn BeFree filter carefully.
- Extend your filter's lifespan by using one of the following EZ Clean options: SHAKE or SWISH every 5-10 liters (see Performance Tips).
- On extended trips, bring along a Katadyn Replacement EZ-Clean Membrane™.
- READ, UNDERSTAND AND FOLLOW ALL instructions and warnings in this manual before using the Katadyn BeFree. Failure to follow all warnings and instructions may result in exposure to harmful microorganisms and illness.

## 3 IMPORTANT SAFETY MESSAGE

Read before using Katadyn BeFree

When you travel abroad, camp or backpack, you run the risk of illness ranging from the inconvenience and discomfort of diarrhea to more serious illnesses caused by protozoan cysts (i.e., Giardia, Cryptosporidium), viruses and bacteria.

The microorganisms that cause these diseases are often found in the food and water you consume.

Lakes, rivers, streams and the local water supply may also be contaminated.

To minimize the risk of contracting these illnesses, we suggest that you consult with your physician, state health department or travel clinic 4-6 weeks before you depart.

And while you are traveling, make sure that prepared food is thoroughly cooked according to its specified instructions. Select non-cooked foods (fruits, nuts, etc.) that have intact shells or skins, and always sanitize your hands properly before peeling the food. Wash your hands with soap and warm water thoroughly and often (and use hand sanitizer), especially before you eat or prepare food. Also, in groups encourage everyone to wash their hands frequently. Microorganisms can spread to communal gear from one group member not sanitizing their hands properly. Do not share personal items (i.e. lip balm, eating utensils, toothbrushes, water bottles or bite-valves on hydration bladders). Make sure all food is properly prepared and thoroughly cooked. Filter all drinking water with your Katadyn BeFree, including water used for brushing teeth, washing your face, etc. according to the instructions in this manual.

If there is any risk of viruses in the water, use an EPA-registered disinfectant such as Katadyn Micropur MP1 Purification Tablets, Micropur Forte or Micropur Quick (outside USA/Canada), in combination with the Katadyn BeFree (Note: Follow all instructions for proper use of Micropur and wait the appropriate treatment time) or boil your water (must bring to a rolling boil for approx. 1 minute) (Note: The Katadyn BeFree does not remove viruses).

## 4 KEY COMPONENTS IN SYSTEM

- (1) Water Bag with Hang/Carry Strap
- (2) Adapter Ring
- (3) EZ-Clean Membrane™ (hollow fiber)
- (4) Filter Cap with built-in Female Quick Connect
- (5) Output Hose
- (6) On/Off Output Hose Clamp
- (7) Male Quick Connect

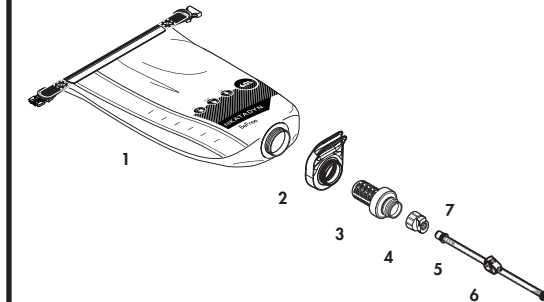


Figure (1) Key Components

## 5 PRODUCT SETUP

The Katadyn BeFree requires minimal setup. For best results, try out the product before first use and familiarize yourself with its operation.

1. Assemble the Katadyn BeFree as shown in figure 1.
2. Flush system by running filtered or treated water through the EZ-Clean Membrane™ (hollow fiber) to remove harmless particles and dust. See following section on Normal Operation on how to filter water.

## 6 NORMAL OPERATION

- A) Ensure filter cartridge is properly tightened into the water bag (see figure 2).

**IMPORTANT:** Do not hold or squeeze the EZ-Clean Membrane™ with your hand while opening or closing the Katadyn BeFree

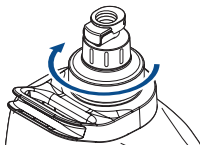


Figure (2)

## 6 NORMAL OPERATION (CONTINUED)

- B) Remove output house from the cap by disconnecting the quick connection system. As long as the output hose is not attached to the filter cap, the integrated quick connection valve is closed, turning off the water flow. Once output hose is reconnected, the quick connect valve will be opened and water will begin flowing. (see figure 3).

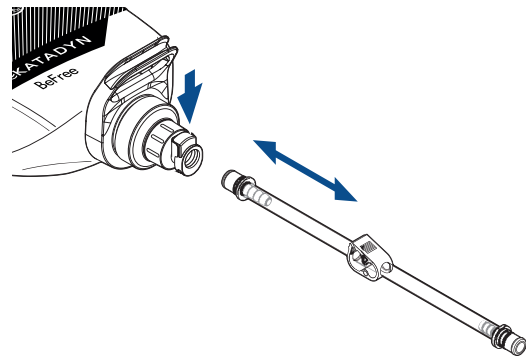


Figure (3)

## 6 NORMAL OPERATION (CONTINUED)

- C) Fill bag with water using a separate container. If a separate container is not available, open bag and fill directly from water source. Do not allow contaminated water to contact outlet connection or end of outlet hose. (see figure 4)

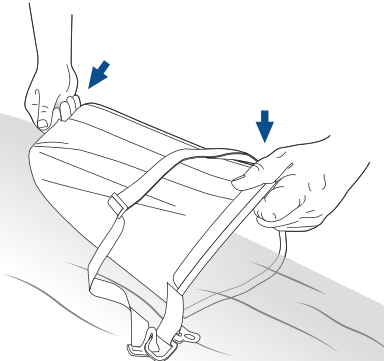


Figure (4)

## 6 NORMAL OPERATION (CONTINUED)

**IMPORTANT:** To minimize the risk of illness, dry off outside of bag and outlet hose to prevent untreated water from running down bag/hose and into your water container. Improper use of filter can lead to contamination and illness. To minimize risk, when filtering water, do not splash dirty or unfiltered water into clean container and follow all of the instructions in this manual.

- D) Close bag by folding ends. Dry bag and outlet connector with clean cloth. (see figure 5).

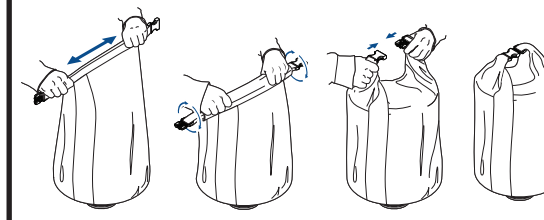


Figure (5)

## 6 NORMAL OPERATION (CONTINUED)

- E) Elevate water bag in convenient location. For best flow, position the filter in an upright position and hang from the highest possible location. (see figure 6).

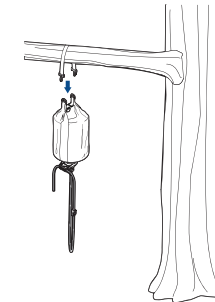


Figure (6)

- F) Close the on/off output hose clamp. Connect the output hose to the female quick connect at the filter cap (this will initiate water flow into the output hose). Open on/off output hose clamp to begin water flow. Close on/off output hose clamp to stop water flow. Ensure on/off output hose clamp is in wide open position (not pinching hose whatsoever) while filtering to ensure maximum flow rate.

- G) After filtration attach the output hose to the adapter ring to avoid contact of the hose outlet with the ground (see figures 7).

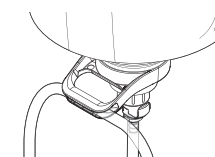


Figure (7)